

# N CNW 105

Three phase mains filter, single-stage, four wire



## Advantages

- Small dimensions
- Quick connection
- Low temperature rise
- Touch-proof terminals
- Good damping performance at a low leakage current

## Technical data

N CNW 105								
Type	Rated voltage [V]	Rated current [A]	Leakage current [mA]	Cx [μF]	Cy [nF]	L [mH]	R [MOhm]	Frequency [Hz]
N CNW 105/3	3x500	4x3	<1	0,5	30	4,0	1,12	50/60
N CNW 105/6		4x6		0,5		2,4		
N CNW 105/10		4x10		0,5		1,0		
N CNW 105/16		4x16		1	43	1,6		
N CNW 105/25		4x25		1		1,4		
N CNW 105/36		4x36		2,2	44	1,2		
N CNW 105/50		4x50	2,2	0,75				
N CNW 105/80		4x80	3,3	111	0,5			
N CNW 105/120		4x120	<3,5		3,3	0,36		
N CNW 105/150		4x150	3,3					

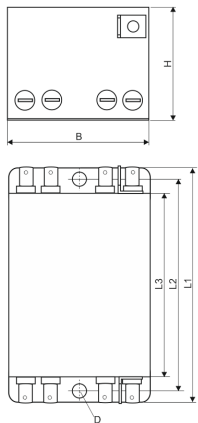


Typical applications: Power supply units for data systems engineering, telecommunications, medical equipment and industrial applications

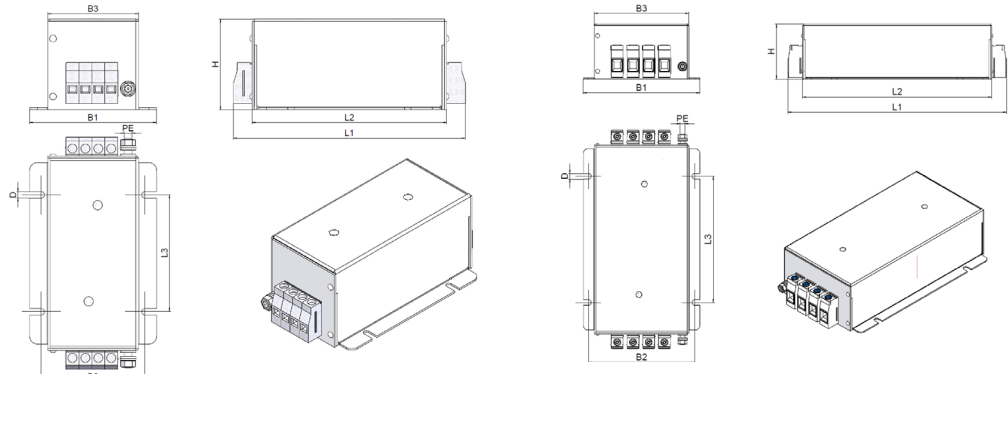
# Dimensions in mm

N CNW 105												
Type	Casing	Connection	PE-Connection	Dimensions [mm]								
				B1 [mm]	B2 [mm]	B3 [mm]	D [mm]	H [mm]	L 1 [mm]	L 2 [mm]	L 3 [mm]	
CNW 105/3	A	AMP flat plug 6,3 mm	Flat plug flag	53	-	-	5,3	40	110	100	90	
CNW 105/6	A			53	-	-	5,3	40	110	100	90	
CNW 105/10	A			53	-	-	5,3	40	110	100	90	
CNW 105/16	B	Clamps 4mm <sup>2</sup>	Earthing bolt (M6)	98	80	70	5,0	70	177	150	90	
CNW 105/25	B	Clamps 6mm <sup>2</sup>		98	80	70	5,0	70	179	150	90	
CNW 105/36	B	Clamps 10mm <sup>2</sup>		148	135	120	7,0	70	269	240	160	
CNW 105/50	B	Clamps 25mm <sup>2</sup>		148	135	120	7,0	70	278	240	160	
CNW 105/80	B		Earthing bolt (M10)	168	155	140	7,0	90	303	240	160	
CNW 105/120	B	Clamps 50mm <sup>2</sup>	Earthing bolt (M12)	168	155	140	7,0	90	331	240	160	
CNW 105/150	B			168	155	140	7,0	90	331	240	160	

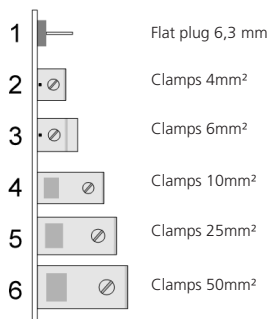
Housing A



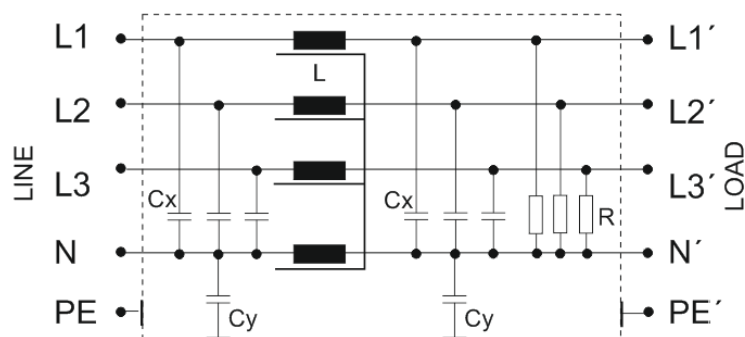
Housing B



Connections



Circuit example



PE-Connections

